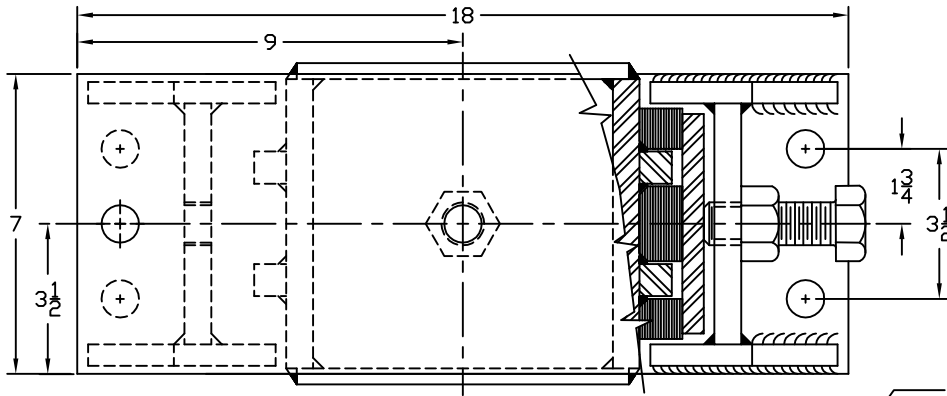


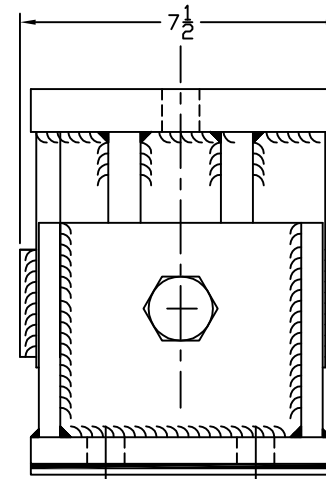
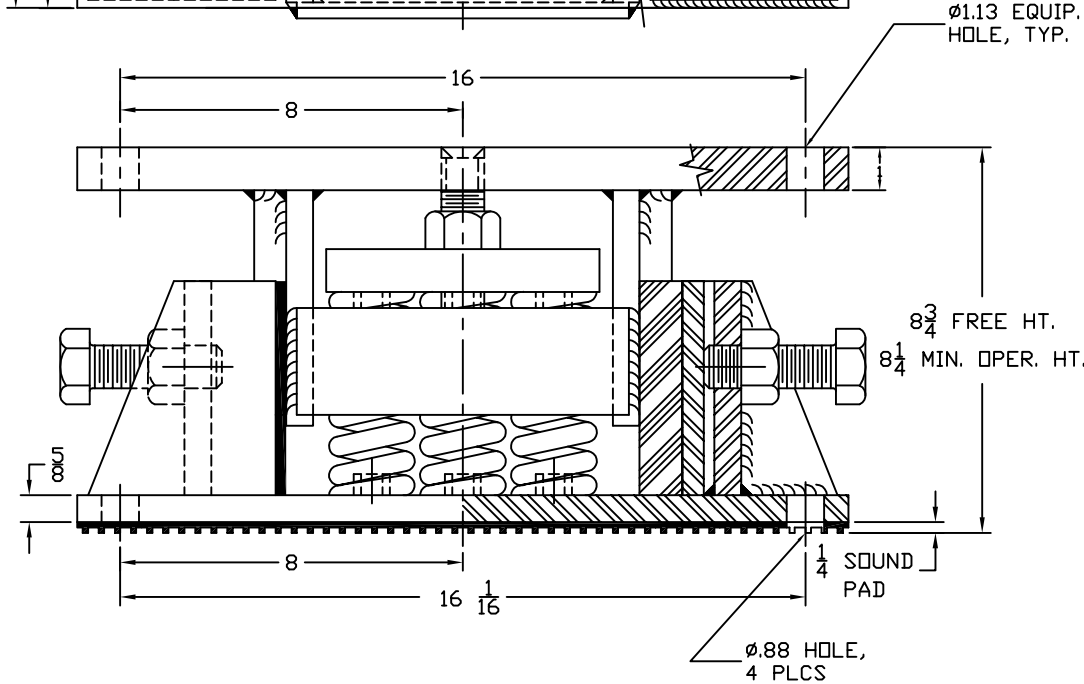
123R-103932 REV.: 1

REV.	DESCRIPTION	DATE	BY



PART NUMBER	ISOLATOR MODEL	MAX. STEADY (LBS)	MAX. IMPACT (LBS)	ISOLATOR CONSTANT (LBS)	COLOR CODE
607053-754	SIH-754	7640	5720	11540	PINK
607053-755	SIH-755	9540	7150	14430	
607053-756	SIH-756	11450	8580	17320	
607053-757	SIH-757	13370	10000	20200	
607053-758	SIH-758	15300	11460	23090	
607053-759	SIH-759	17200	12900	25970	

- NOTES:
- ALL DIMENSIONS ARE IN INCHES, INTERPRET PER ANSI Y14
 - STANDARD FINISH: CONTACT VMC FOR ADDITIONAL AVAILABILITY
 - STEEL WELDMENTS: STANDARD VMC COLOR
 - SPRING: POWDER COATED
 - HARDWARE: ELECTRO-ZINC PLATED
 - APPROXIMATE UNIT WEIGHT: 120 LBS



OTHER MATERIALS, COMPOUNDS, OR FINISHES WITH EQUAL OR SUPERIOR PROPERTIES MAY BE SUBSTITUTED AS THEY BECOME AVAILABLE.

CERTIFIED FOR:

JOB NAME: _____
 CUSTOMER : _____
 CUSTOMER P.O.: _____
 SALES ORDER: _____

**MODEL SIH 7640-17200 LBS.
 SPRING ISOLATOR WITH
 ADJUSTABLE SNUBBER**



THE VMC GROUP
The Power of Together
 Bloomingdale, NJ 07403
 Houston, TX 77041

SCALE :

NONE

SHEET:



DRAWING NO.:

REVISION